

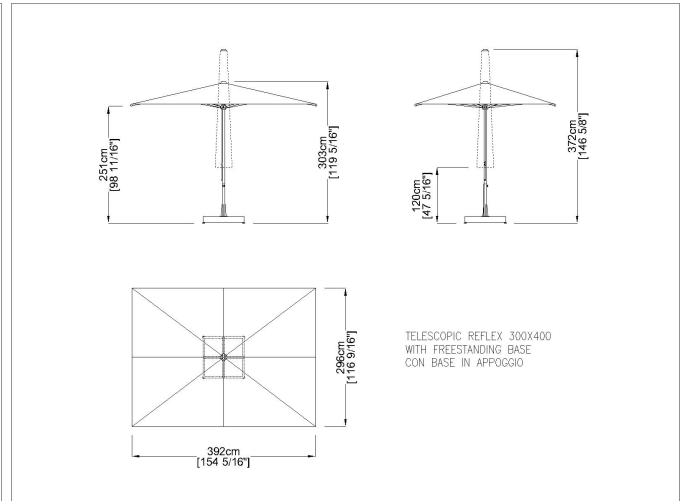
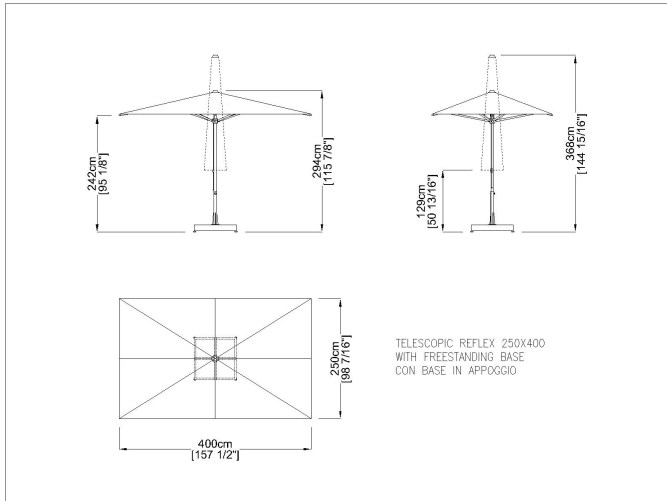


## Description

### Reflex Telescopico

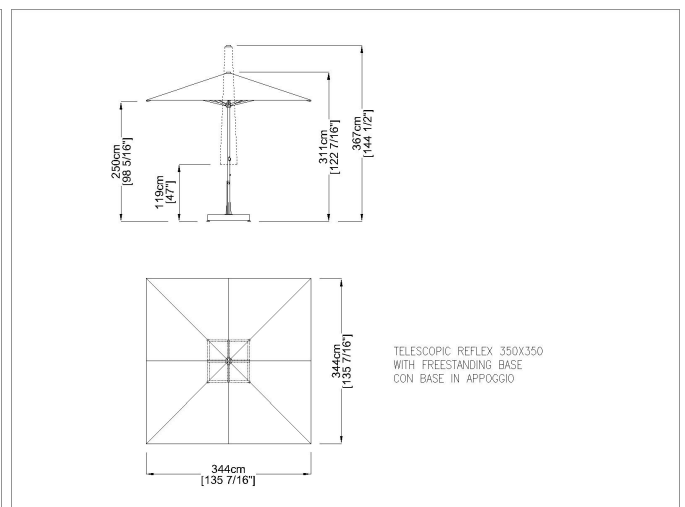
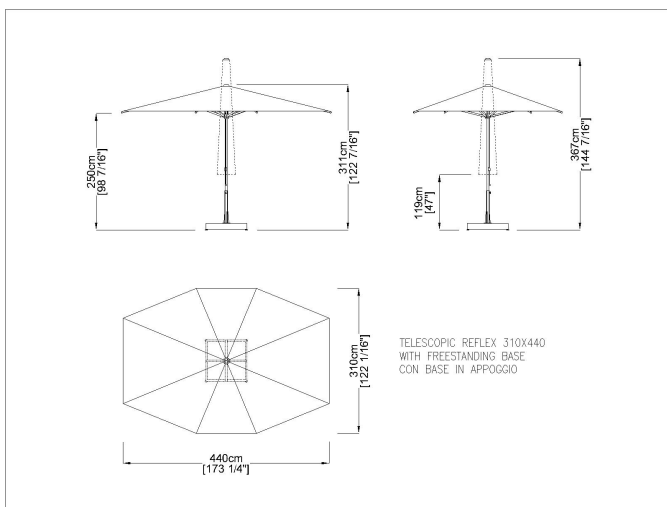
An original opening-closing system, which does not require shifting any tables and chairs underneath the umbrella, makes Reflex Telescopico the ideal product for shading large terraces. Ideal for both commercial use (hotels, restaurants...) and for residential use (villas, private gardens). The ribs can be replaced individually without needing to disassemble the entire structure and the canopy fabric is easily removed for maintenance or replacement. Aluminium framework, easy pulley opening system and stainless steel hardware. Reflex Telescopico can be supplied with a freestanding base or in-ground mount. All FIM products are designed and made in Italy, using the best materials for outdoor use, in order to guarantee exceptional durability even under the most demanding environmental conditions.

Drawings



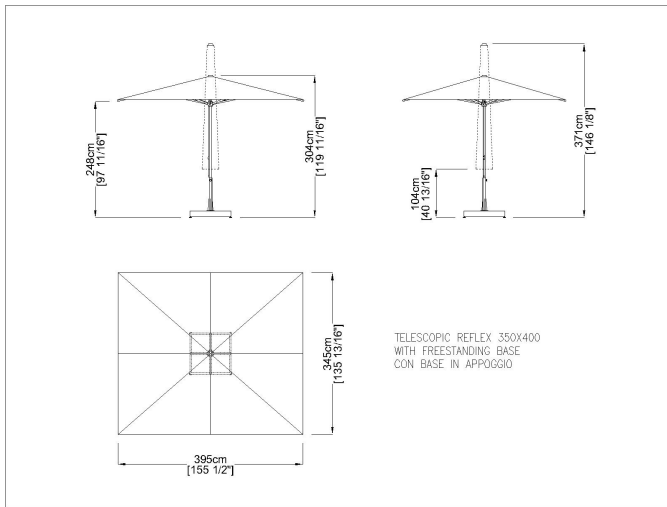
250 x 400

300 x 400

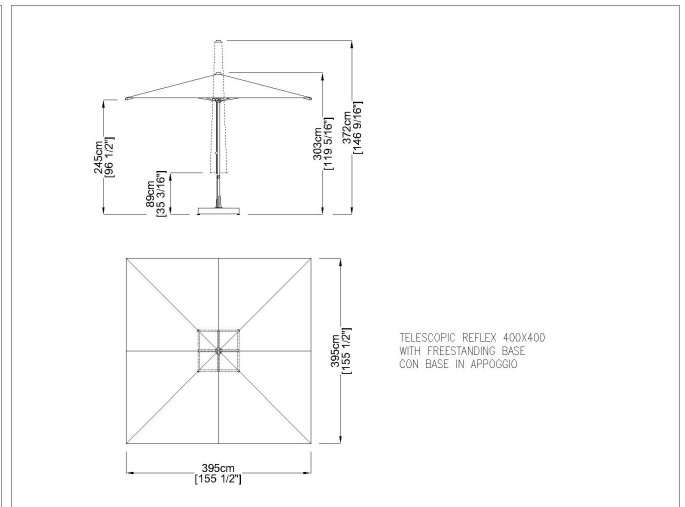


310 x 440

350 x 350



350 x 400

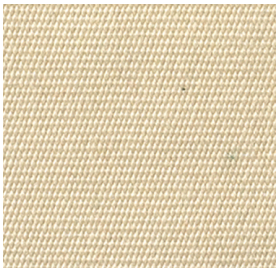


400 x 400

Materials

Acrylic fabric

Water repellent and stain-resistant acrylic fabric. Available in Ecrù (raw) colour. The ideal fabric, excellent value. 290 gr/m<sup>2</sup>.



A00 Ecrù  
A00

Solution dyed Acrylic Fabric

Designed for outdoor use, the solution (spun) dyed acrylic fabric resists salt water, chlorine and any type of harsh climate. Colours do not bleed and remain vibrant for a long time. A specific treatment makes the fabric water repellent, mould resistant and protects it from staining. This type of fabric resists the most extreme conditions and is suitable for year-round use in gardens, terraces, pool sides or on-board boats. It's definitely the top choice canopy fabric to select for your Product. UPF 50+ (UV Protection Factor) 280 gr/m<sup>2</sup>.



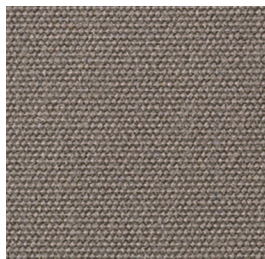
N01 Sooty  
10030



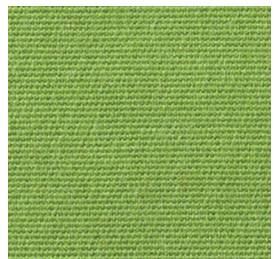
S00 Natural  
5404



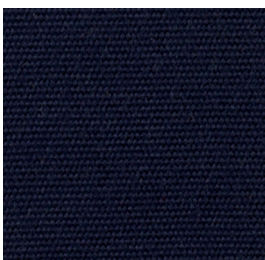
S01 Canvas  
5423



S04 Taupe  
3729



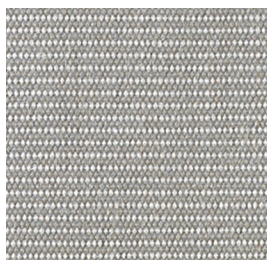
S06 Macao  
3738



S09 Navy Blue  
5439



S13 Black  
5408



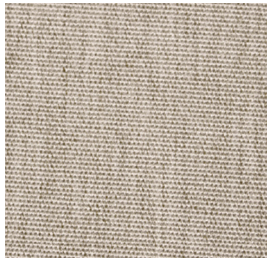
S16 Shingles  
3706



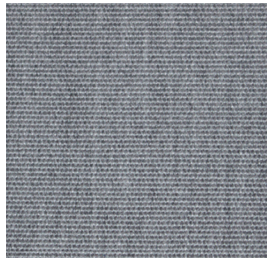
S30 Blue Storm  
3942



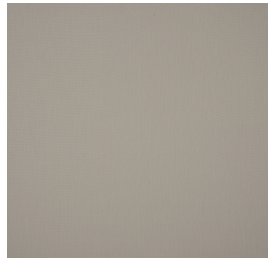
S33 Mimosa  
3938



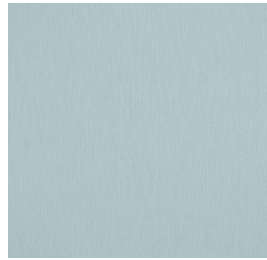
Z03 Lin  
3780



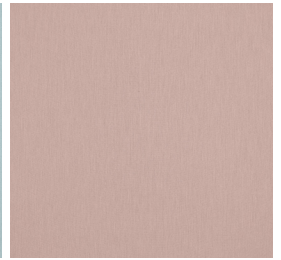
Z09 Lead Chiné  
3756



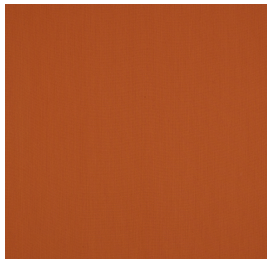
S35 Stone  
3988



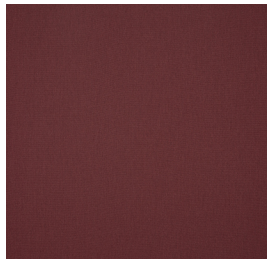
S37 Curacao  
3964



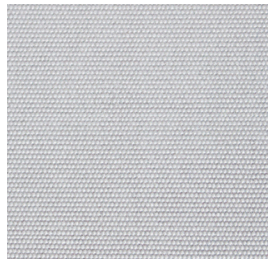
S38 Blush  
3965



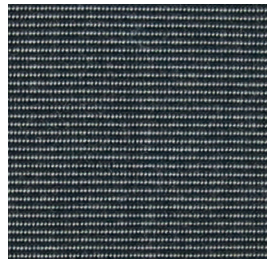
S39 Pumpkin  
3969



S40 Autumn  
3882



Z02 Silver grey  
3741



Z14 Charcoal  
3705



Z15 Carbon  
3906



Z18 Flanelle  
3757

### Solution dyed Acrylic Fabric - Special colours

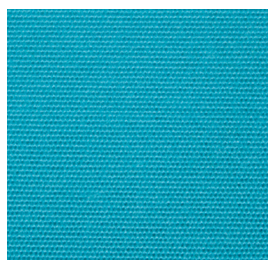
Designed for outdoor use, the solution (spun) dyed acrylic fabric resists salt water, chlorine and any type of harsh climate. Colours do not bleed and remain vibrant for a long time. A specific treatment makes the fabric water repellent, mould resistant and protects it from staining. This type of fabric resists the most extreme conditions and is suitable for year-round use in gardens, terraces, pool sides or on-board boats. It's definitely the top choice canopy fabric to select for your Product. UPF 50+ (UV Protection Factor) 280 gr/m2.



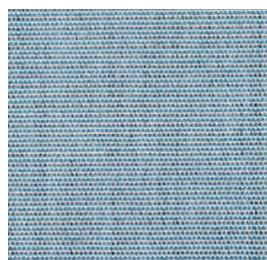
Z04 Antique Beige  
5422



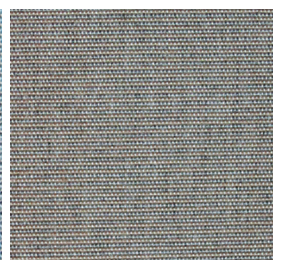
Z05 Arbor Pebble  
48009



Z06 Aruba  
5416



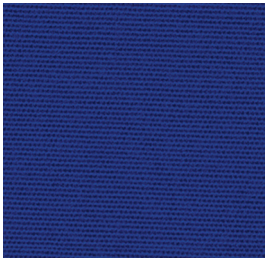
Z08 Mineral Blue Chiné  
3793



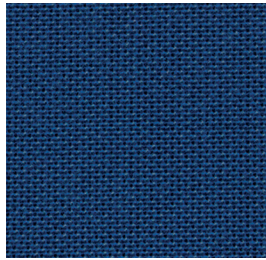
Z10 Taupe Chiné  
3907



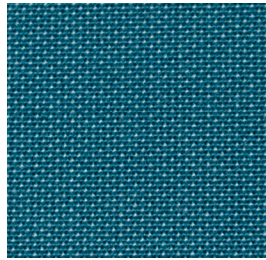
## Product Sheet



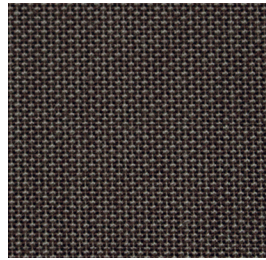
Z11 True Blue  
5499



Z12 Riviera Blue  
3717



Z13 Adriatic  
3941



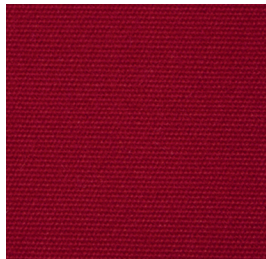
Z17 Mink Brown  
3127



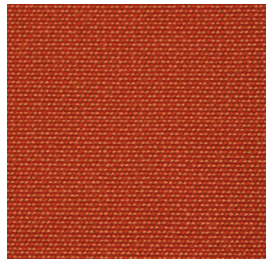
Z19 Dark Smoke  
3729



Z20 Sooty  
3758



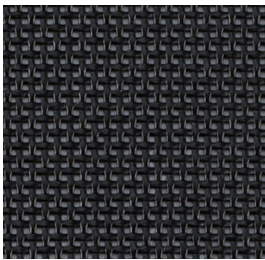
Z23 Paris Red  
3728



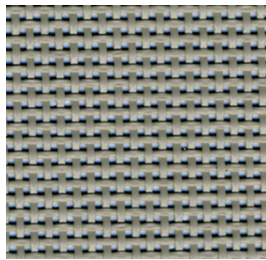
Z30 Paprika  
3939

### Micro-Mesh fabric

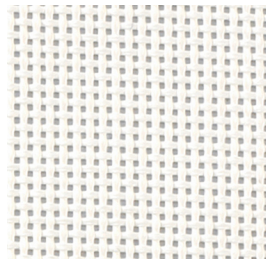
This fabric allows natural air flow and has an excellent resistance to wind, ensuring a pleasant shading at the same time. Suggested to those who want a surely eye-catching alternative fabric. Its fibre composition, taking advantage of the "Precontraint" technology, guarantees an exceptional resistance to tearing, ultraviolet light and mould. 410 gr/m<sup>2</sup>.



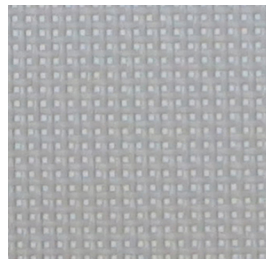
M00 Nero  
5005



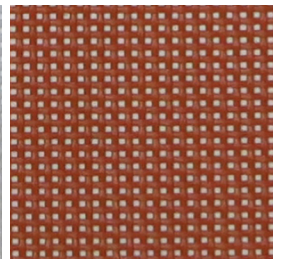
M01 Cenere  
5014



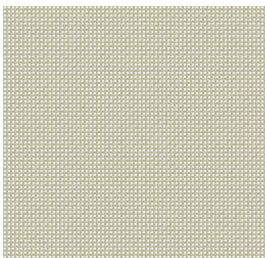
M03 Bianco  
5001



M08 Gris Platine  
5374



M09 Ambra  
5016



M13 Sage  
50880

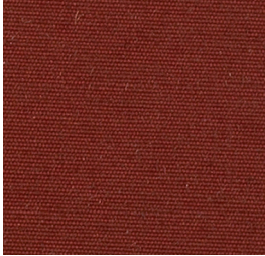
### Airfim Fabric

Waterproof fabric assuring total protection from rain, which does not even permeate the stitches. A stain-resistant treatment contributes toward a better dirt resistance of the fabric,



## Product Sheet

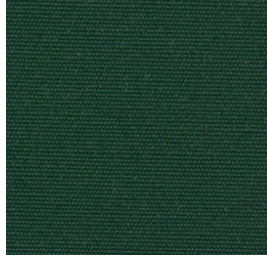
too. A regular wash with a neutral cleaning agent guarantees a long lifespan. UPF 80 (UV Protection Factor) 190 gr/m<sup>2</sup>



100 Bordeaux  
9879



101 Ecrù  
9833



102 Verde  
9710



103 Blue  
9545



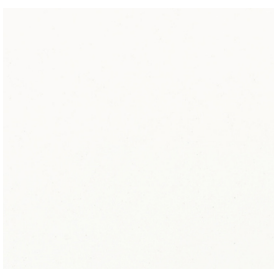
105 Bianco  
9755



107 Gray  
9654

## Finishes

The materials used have been specifically selected and treated to maintain our products durability and consistency over time. The lumber we source is the best available to guarantee structural integrity and strength of the product. Given the fact that wood is a "living" material and reacts to temperature and humidity variations it can consequently show gaps or imperfections that are not to be considered a defect. They do not alter its resistance qualities, but rather witness its continuous vitality. The aluminum profiles are powder coated or anodized to ensure a longer durability in time. The colors may differ from the real ones.



BIAN



GRAF



LUC

Images







## Product Sheet

### Suggested Products



Reflex



Maxi