



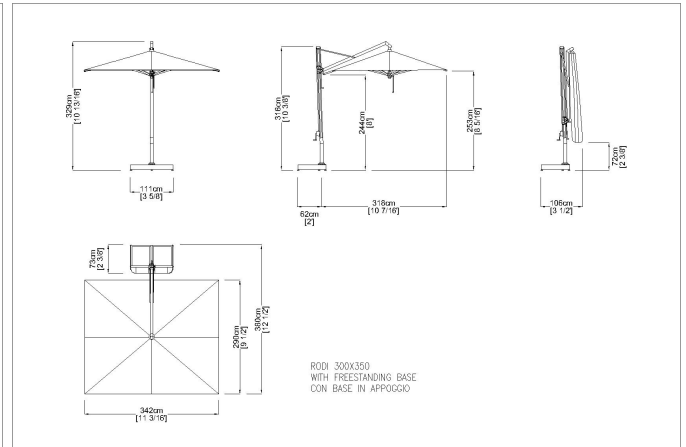
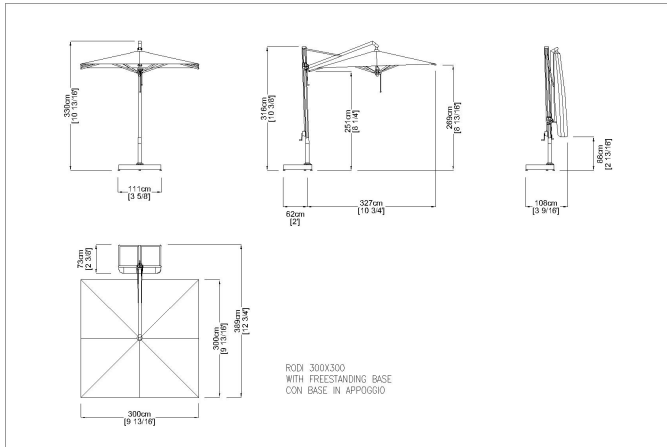
Description

RODI

Innovative design allows the open and tilted parasol to be rotated 360° around its base and is easily opened by a crank handle. A single motion closes the parasol towards the pole, without need to relocate any furniture under it. Ideal for both residential use (villas, private gardens) and commercial use (hotels, restaurants...). Each rib can be replaced individually without needing to disassemble the entire structure and the canopy fabric is easily removed for maintenance or replacement. The structure is made of aluminium with stainless steel hardware. A stabilizer bar assures higher parasol stability in very windy conditions. Rodi can be supplied with a freestanding base or in-ground mount. All FIM products are designed and made in Italy, using the best materials for outdoor use, in order to guarantee exceptional durability even under the most demanding environmental conditions.

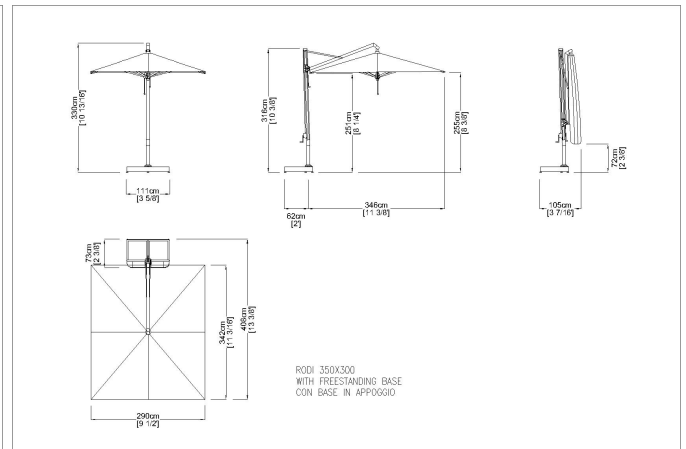
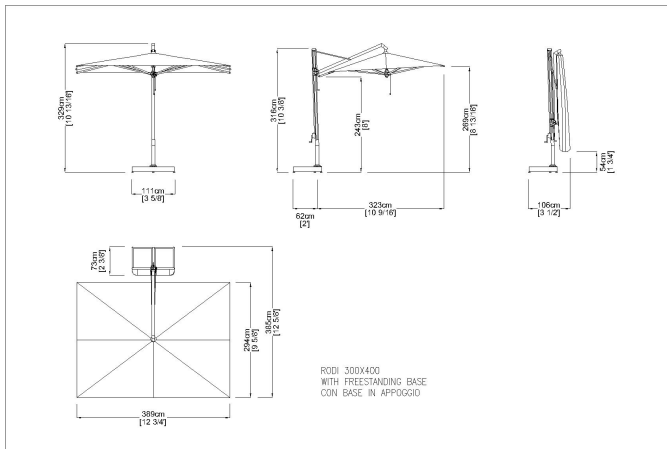
COLOURS

Drawings



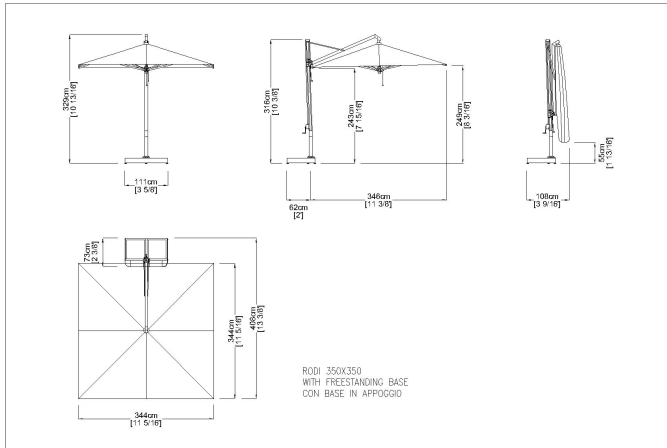
300 x 300

300 x 350

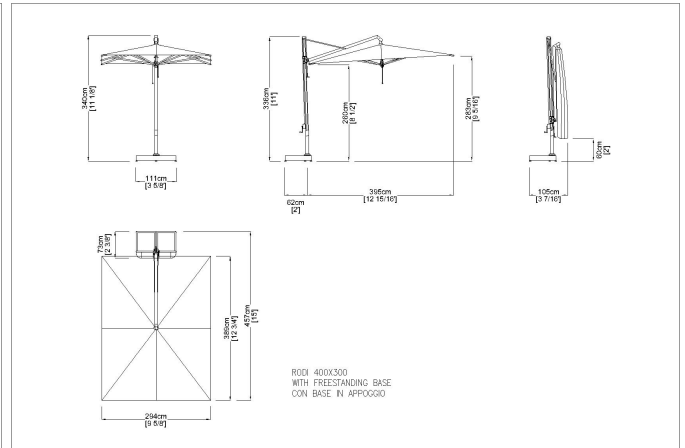


300 x 400

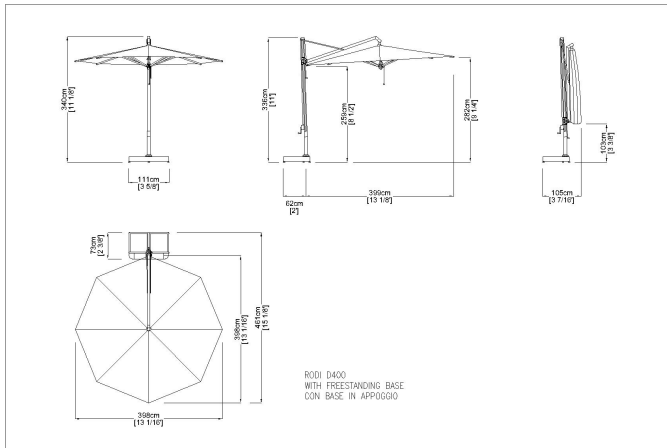
350 x 300



350 x 350



400 x 300

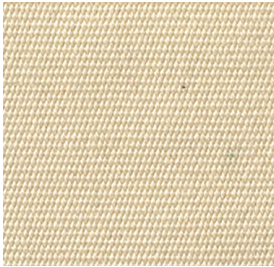


400

Materials

Acrylic Fabric

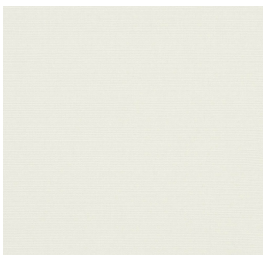
Water repellent and stain-resistant acrylic fabric. Available in Ecrù (raw) colour. The ideal fabric, excellent value. 290 gr/m2.



A00 Ecrù
A00

Solution dyed Acrylic Fabric

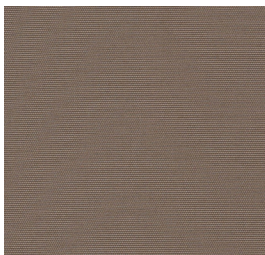
Designed for outdoor use, the solution (spun) dyed acrylic fabric resists salt water, chlorine and any type of harsh climate. Colours do not bleed and remain vibrant for a long time. A specific treatment makes the fabric water repellent, mould resistant and protects it from staining. This type of fabric resists the most extreme conditions and is suitable for year-round use in gardens, terraces, pool sides or on-board boats. It's definitely the top choice canopy fabric to select for your Product. UPF 50+ (UV Protection Factor) 280 gr/m2.



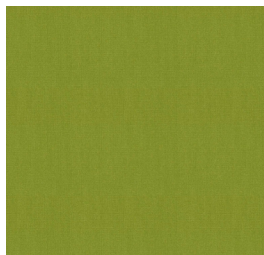
S00 Natural
5404



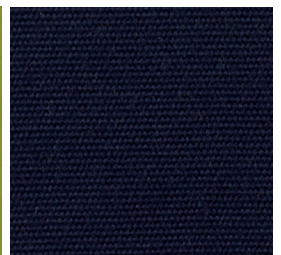
S01 Canvas
5423



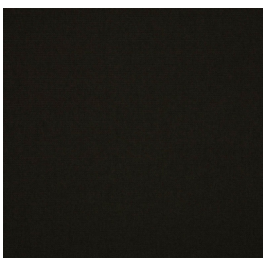
S04 Taupe
3729



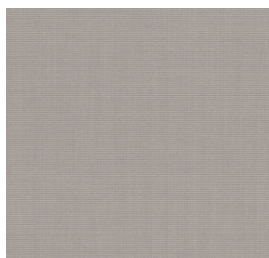
S06 Macao
3738



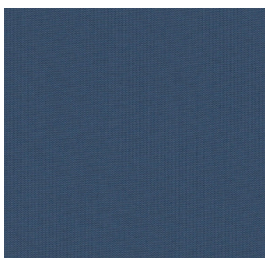
S09 Navy Blue
5439



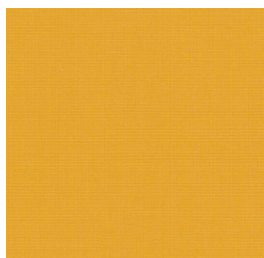
S13 Black
5408



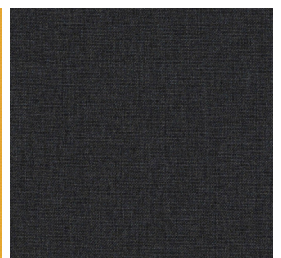
S16 Shingles
3706



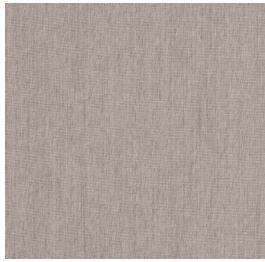
S30 Blue Storm
3942



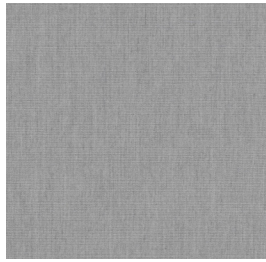
S33 Mimosa
3938



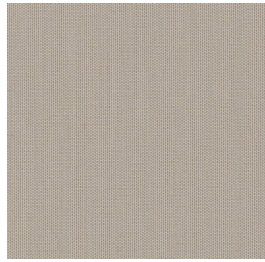
N01 Sooty
10030



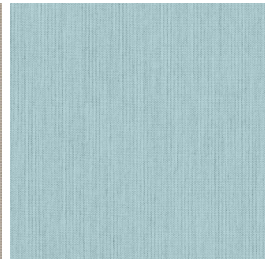
Z03 Lin
3780



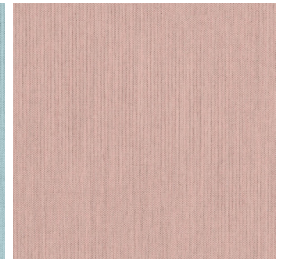
Z09 Lead Chiné
3756



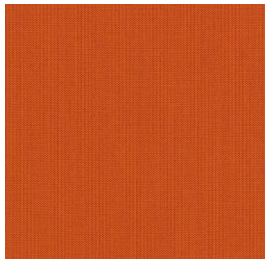
S35 Stone
3988



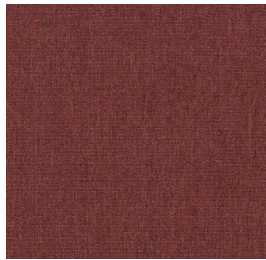
S37 Curacao
3964



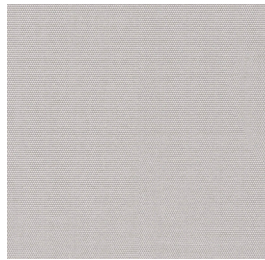
S38 Blush
3965



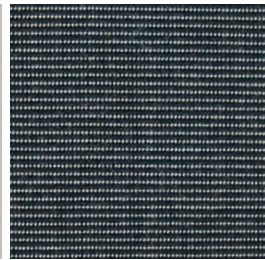
S39 Pumpkin
3969



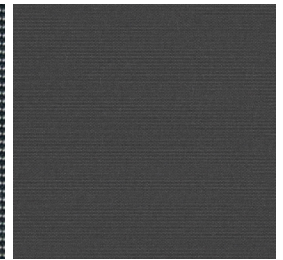
S40 Autumn
3882



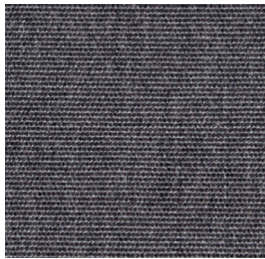
Z02 Silver grey
3741



Z14 Charcoal
3705



Z15 Carbon
3906



Z18 Flanelle
3757

Solution dyed Acrylic Fabric - Special colours

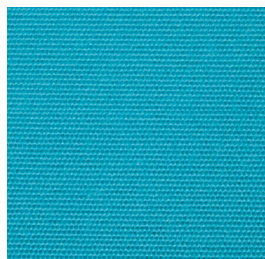
Designed for outdoor use, the solution (spun) dyed acrylic fabric resists salt water, chlorine and any type of harsh climate. Colours do not bleed and remain vibrant for a long time. A specific treatment makes the fabric water repellent, mould resistant and protects it from staining. This type of fabric resists the most extreme conditions and is suitable for year-round use in gardens, terraces, pool sides or on-board boats. It's definitely the top choice canopy fabric to select for your Product. UPF 50+ (UV Protection Factor) 280 gr/m².



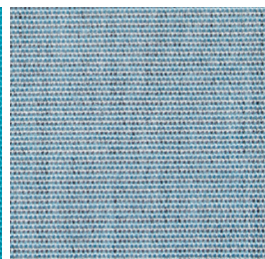
Z04 Antique Beige
5422



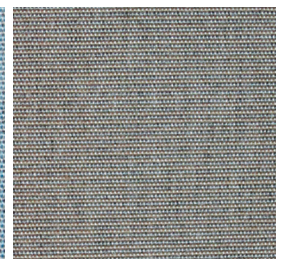
Z05 Arbor Pebble
48009



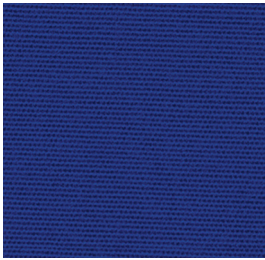
Z06 Aruba
5416



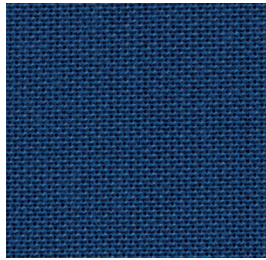
Z08 Mineral Blue Chiné
3793



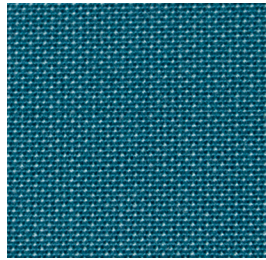
Z10 Taupe Chiné
3907



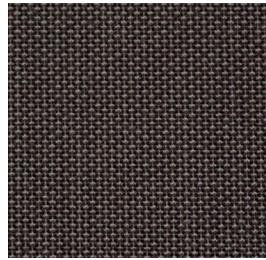
Z11 True Blue
5499



Z12 Riviera Blue
3717



Z13 Adriatic
3941



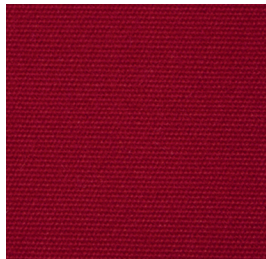
Z17 Mink Brown
3127



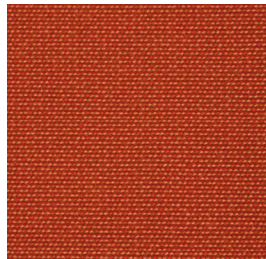
Z19 Dark Smoke
3729



Z20 Sooty
3758



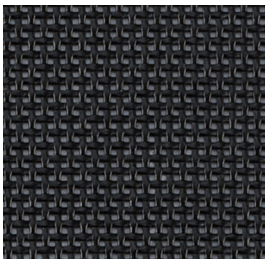
Z23 Paris Red
3728



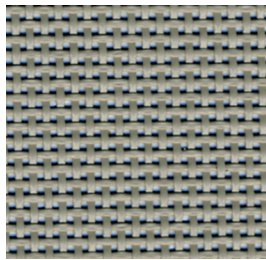
Z30 Paprika
3939

Micro-Mesh fabric

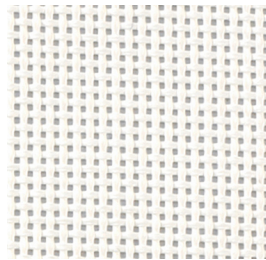
This fabric allows natural air flow and has an excellent resistance to wind, ensuring a pleasant shading at the same time. Suggested to those who want a surely eye-catching alternative fabric. Its fibre composition, taking advantage of the "Precontraint" technology, guarantees an exceptional resistance to tearing, ultraviolet light and mould. 410 gr/m².



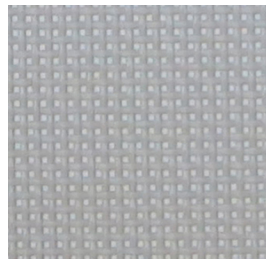
M00 Nero
5005



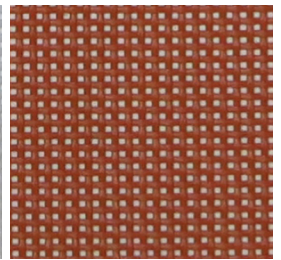
M01 Cenere
5014



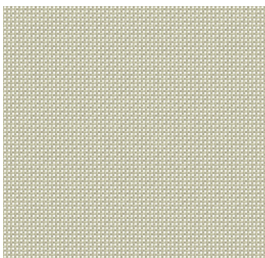
M03 Bianco
5001



M08 Gris Platine
5374



M09 Ambra
5016



M13 Sage
50880

Airfim Fabric

Waterproof fabric assuring total protection from rain, which does not even permeate the stitches. A stain-resistant treatment contributes toward a better dirt resistance of the fabric,



Product Sheet

too. A regular wash with a neutral cleaning agent guarantees a long lifespan. UPF 80 (UV Protection Factor) 190 gr/m².



100 Bordeaux
9879



101 Ecrù
9833



102 Verde
9710



103 Blue
9545



105 Bianco
9755



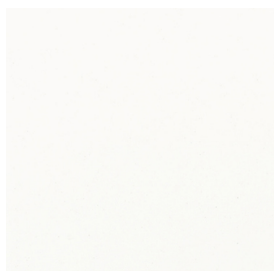
107 Gray
9654

Finishes

The materials used have been specifically selected and treated to maintain our products durability and consistency over time. The lumber we source is the best available to guarantee structural integrity and strength of the product. The aluminum profiles are powder coated or anodized to ensure a longer durability in time. The colors may differ from the real ones.



GRAF



BIAN



SILV



Product Sheet

Images





Product Sheet

Suggested Products



Ischia



Capri



Rio